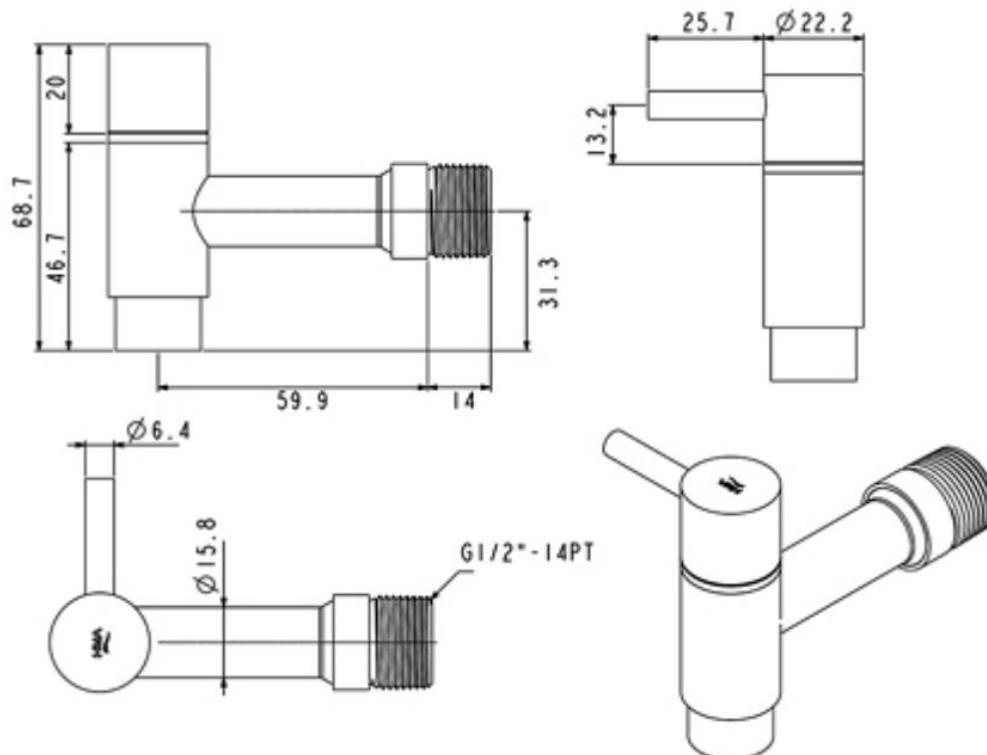




Brand : VRH, Thailand
 Name: BONNY Wall tap
 Item Code: C7120K7
 Designer:
 Color / Finish: 304 Stainless Steel
 Dimensions: 68.7 mm height
 59.9 mm spout projection

Product info:

- Wall stop valve ½
- With hose connection ½"



Flushing of pipe must be done before fittings are installed. Failure to do so voids the warranty.
 Follow cleaning instructions and avoid using any harmful chemicals.
 All information is for reference only. Installation shall always be based on the specs provided with actual delivered items.
 For more info, visit www.sanitecph.com