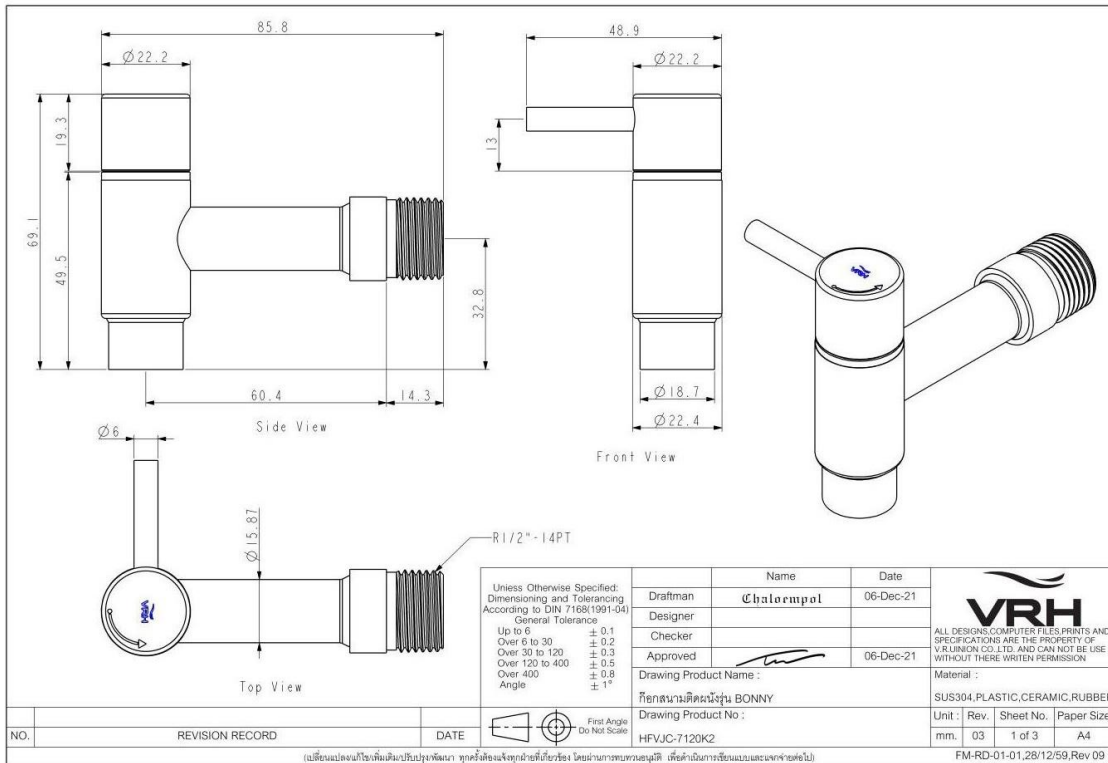




Brand : VRH, Thailand
 Name : Bonny Wall stop valve
 Item Code : C7120K2
 Designer :
 Color / Finish: 304 Stainless Steel
 Dimensions : 68.7mm height 59.9mm spout projection

- Product info:
- Wall Stop Valve
 - ½" with hose connection ½"



Flushing of pipe must be done before fittings are installed. Failure to do so voids the warranty.
 Follow cleaning instructions and avoid using any harmful chemicals.
 All information is for reference only. Installation shall always be based on the specs provided with actual delivered items.
 For more info, visit www.sanitecph.com