



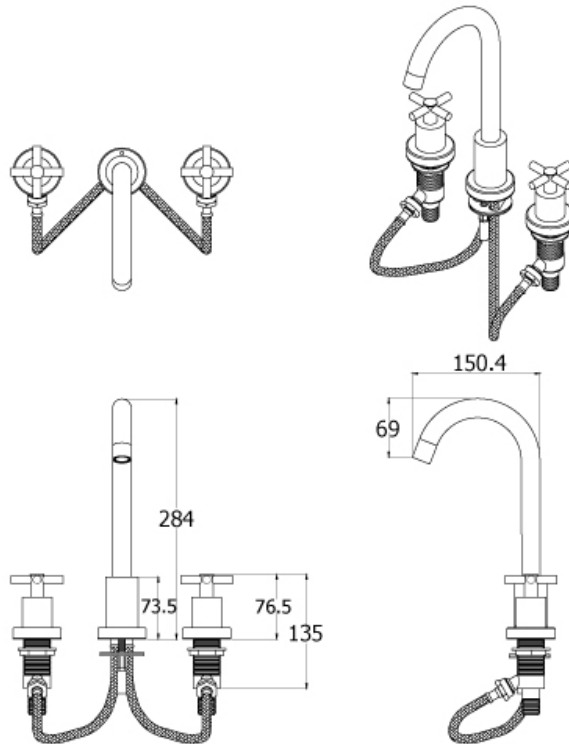
Brand : VRH, Thailand
 Name : SMOOTH 3 Hole Basin mixer with ½
 Item Code : B2002D1
 Designer :
 Color / Finish: 304 Stainless Steel
 Dimensions : 284 mm length

Product info:

- 2-handle 3hole basin mixer
- With LA101LS push type pop up

Add-ons:

- 2x angle valve ½"x½" (no nuts)
- 1x flexible supply hose ½"x½" x?cm
- 1x basin waste trap



Flushing of pipe must be done before fittings are installed. Failure to do so voids the warranty.

Follow cleaning instructions and avoid using any harmful chemicals.

All information is for reference only. Installation shall always be based on the specs provided with actual delivered items.

For more info, visit www.sanitecph.com