



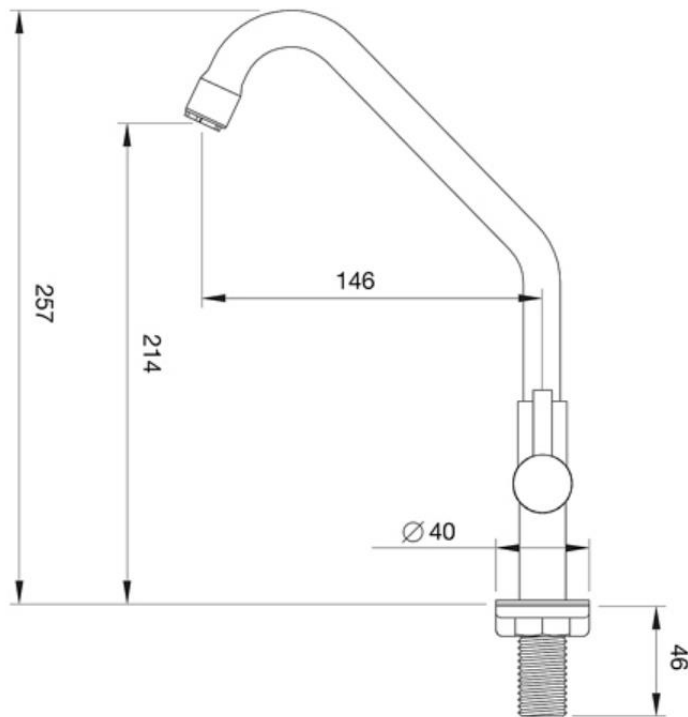
Brand : VRH, Thailand
Name: Bonny Sink pillar tap
Item Code: B1000K3
Designer:
Color / Finish: 304 Stainless Steel
Dimensions: 257 mm height
146 mm spout projection

Product info:

- Sink Pillar Pipe

Add-ons:

- 1x angle valve ½"x½" (no nuts)
- 1x flexible supply hose ½"x½" x?cm



Follow cleaning instructions and avoid using any harmful chemicals. Failure to do so voids the warranty.

All information is for reference only. Installation shall always be based on the specs provided with actual delivered items.
For more info, visit www.sanitecph.com