



Brand : Primy, China

Name : Floor Drain

Item Code : D107.S

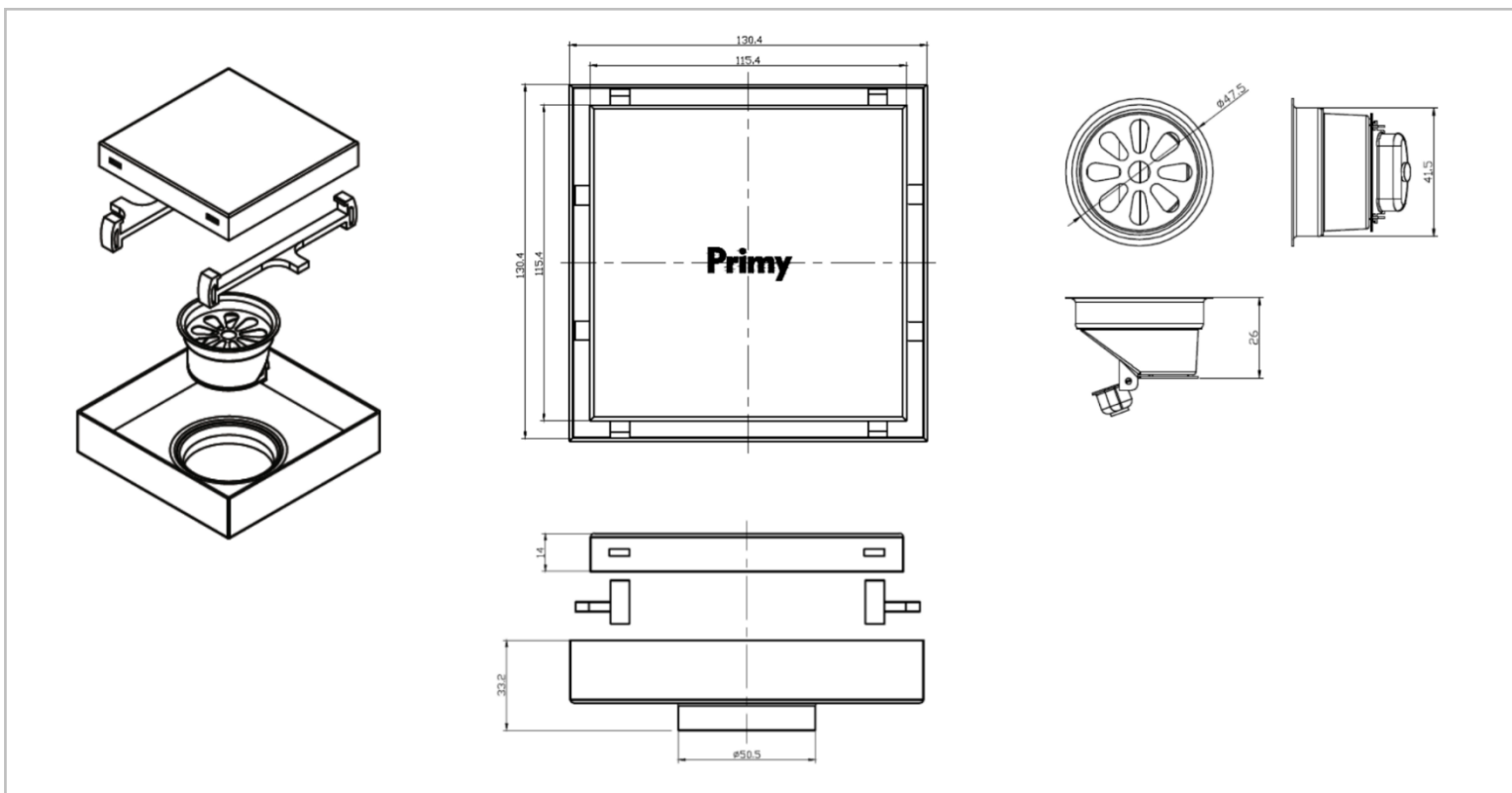
Designer :

Color / Finish: Brushed Stainless Steel

Dimensions : 130 x 130 mm

Product info:

- Primy reversible floor drain with tile insert
- With removable strainer
- 1.2mm thickness
- Grade 304, 18/8 stainless steel



Flushing of pipe must be done before fittings are installed. Failure to do so voids the warranty.

Follow cleaning instructions and avoid using any harmful chemicals.

All information is for reference only. Installation shall always be based on the specs provided with actual delivered items.

For more info, visit www.sanitecph.com