

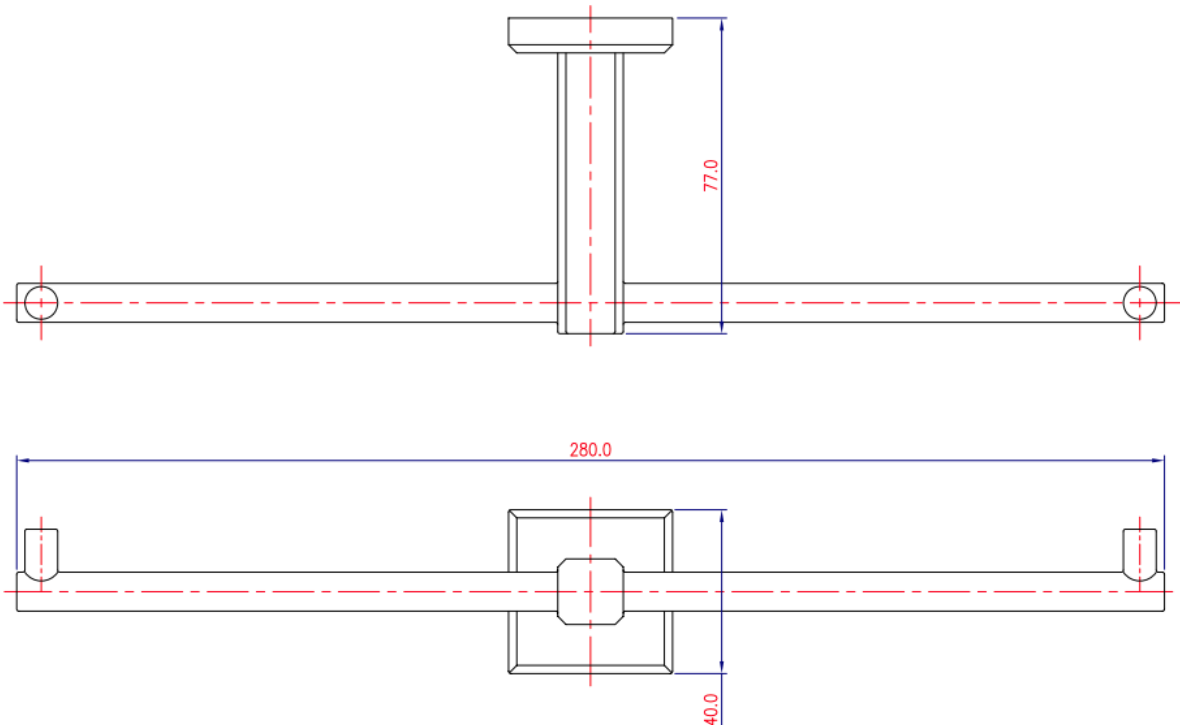
Brand : LCM, China  
Name : Serie LCM Double roll holder  
Item Code : 14555H.2602

Designer :

Color / Finish: Stainless Steel  
Dimensions : 280 x 40 mm

Product info:

- Serie LCM Double roll holder



Follow cleaning instructions and avoid using any harmful chemicals. Failure to do so voids the warranty.

All information is for reference only. Installation shall always be based on the specs provided with actual delivered items.  
For more info, visit [www.sanitecph.com](http://www.sanitecph.com)