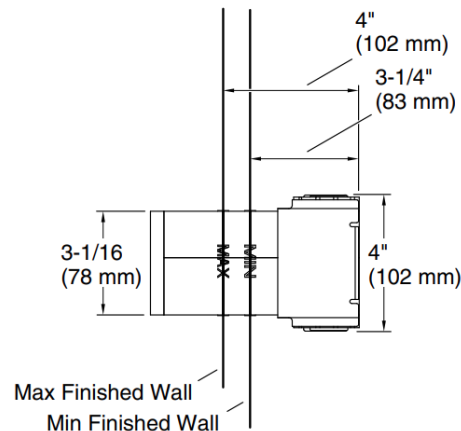
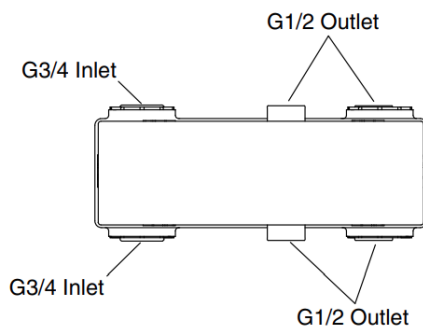
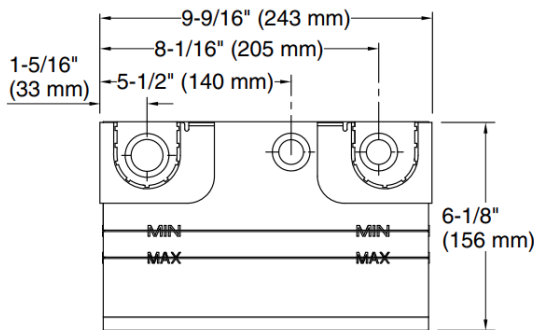


Brand : KOHLER
 Name : Thermostatic control valve
 Item Code : K26340T-NA
 Designer :
 Color / Finish: N/A
 Dimensions : 243 x 156 x 78 mm



Product info:

- High-flow thermostatic mixing valve.
- Up to 8 gpm (30.3 lpm) flow rate at 45 psi (3.1 bar) with maximum flow of 7 gpm (26.5 lpm) from one outlet.
- G 3/4 female inlet connections.
- G 1/2 female outlets.
- Service stops with integral filters.
- Antiscald protection
- Integrated adjustable high-temperature limit stop to control maximum water temperature.
- Adjustable comfort setting (preset at approximately 104°F).



Flushing of pipe must be done before fittings are installed. Failure to do so voids the warranty.
 Follow cleaning instructions and avoid using any harmful chemicals.
 All information is for reference only. Installation shall always be based on the specs provided with actual delivered items.
 For more info, visit www.sanitecph.com