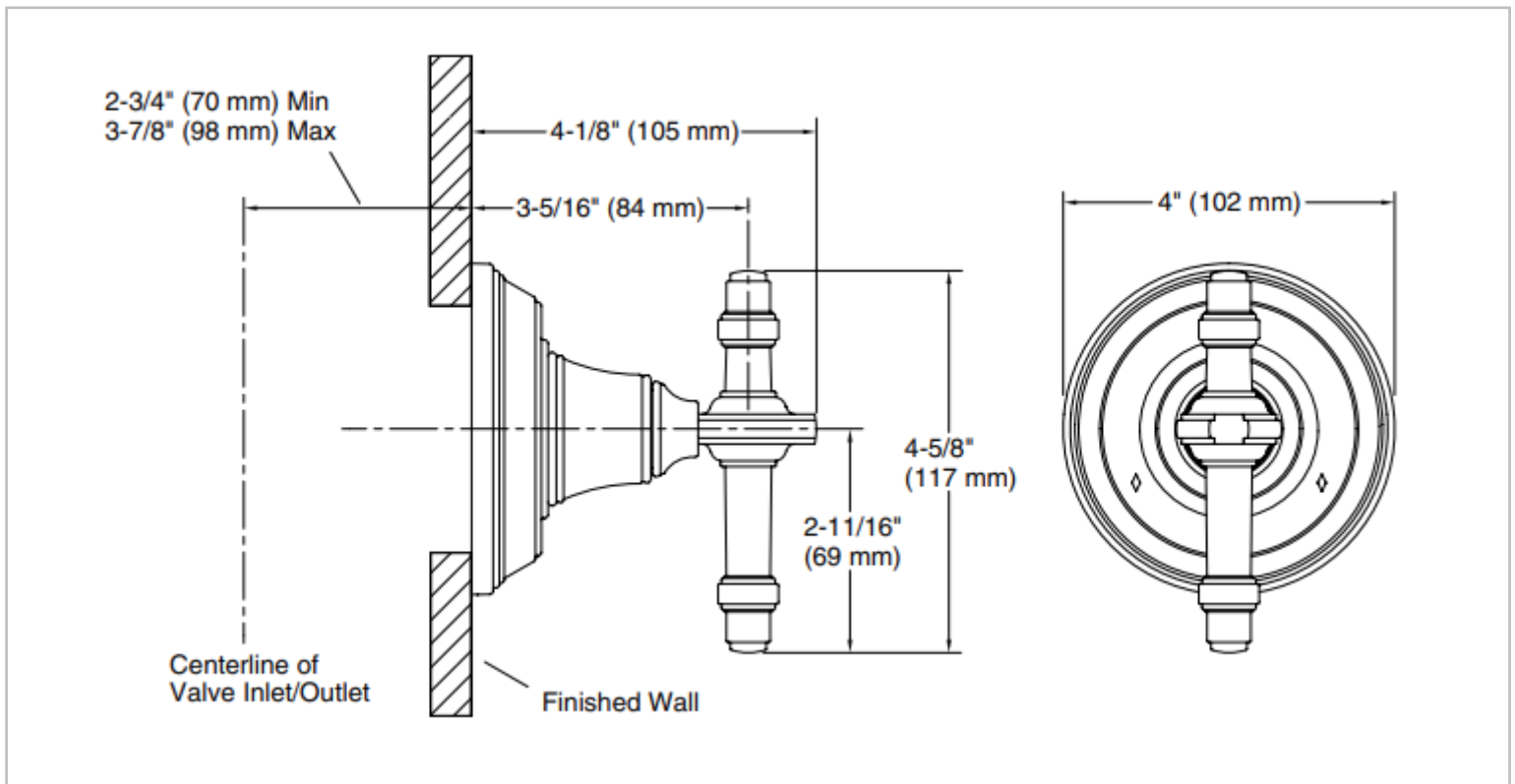




Brand : KALLISTA,USA
 Name : Inigo Transfer trim valve 2 or 3-way transfer function
 Item Code : P23183-LV-CP
 Designer :
 Color / Finish: Polished Chrome
 Dimensions : 102 x 117 x 105 mm

Product info:

- Transfer trim valve
- 2 or 3-way transfer function
- Solid brass construction for durability and reliability
- Wall-mount
- Requires rough in assemble for the transfer valve



Flushing of pipe must be done before fittings are installed. Failure to do so voids the warranty.

Follow cleaning instructions and avoid using any harmful chemicals.

All information is for reference only. Installation shall always be based on the specs provided with actual delivered items.

For more info, visit www.sanitecph.com