

Brand : KALLISTA
 Name : 1/2" Deck-mount rough in w/ diverter
 Item Code : P19304-00-NA

Designer :

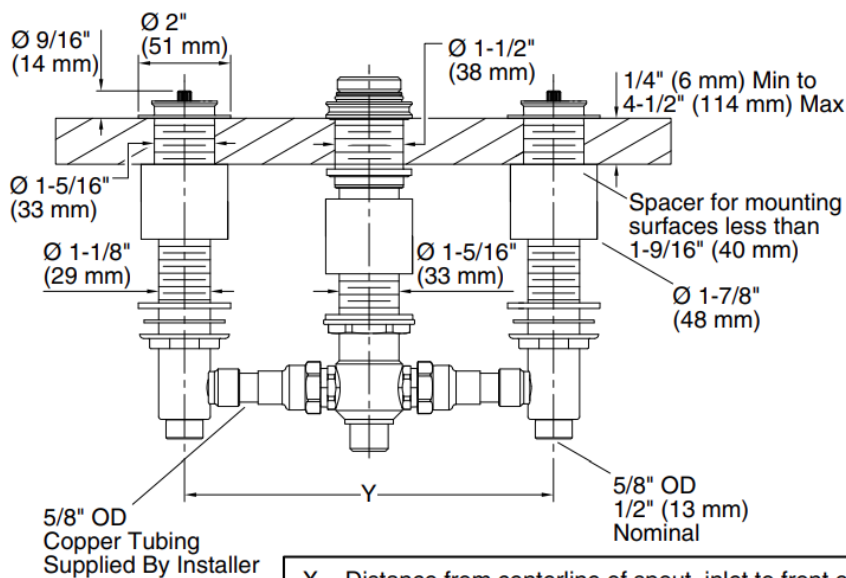
Color / Finish: N/A
 Dimensions : (See data drawing below for dimension)



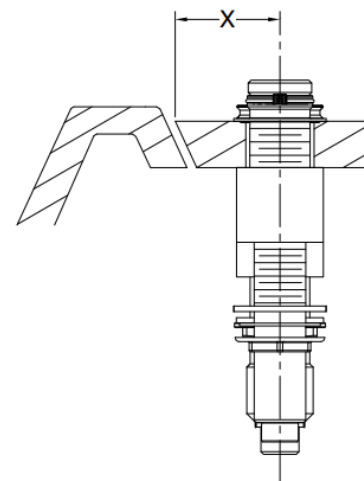
Product info:

- Deck Mount rough in
- With diverter
- Solid brass construction for durability and reliability
- 1/2" quarter-turn washer less ceramic disc valves
- High-flow valving
- Eliminates the need for a transfer valve and transfer valve trim on the bath deck
- 11 gal/min (41.6 l/min) to 12 gal/min (45.4 l/min) flow rate at 45 psi (310.3 kPa)

Finished Deck-Mount Installation



Finished Rim-Mount Installation



X = Distance from centerline of spout inlet to front of spout base plus 1/2" (13 mm).

Y = Distance between valve body centerlines vary. Minimum distance is 8" (203 mm).

Flushing of pipe must be done before fittings are installed. Failure to do so voids the warranty.

Follow cleaning instructions and avoid using any harmful chemicals.

All information is for reference only. Installation shall always be based on the specs provided with actual delivered items.

For more info, visit www.sanitecph.com