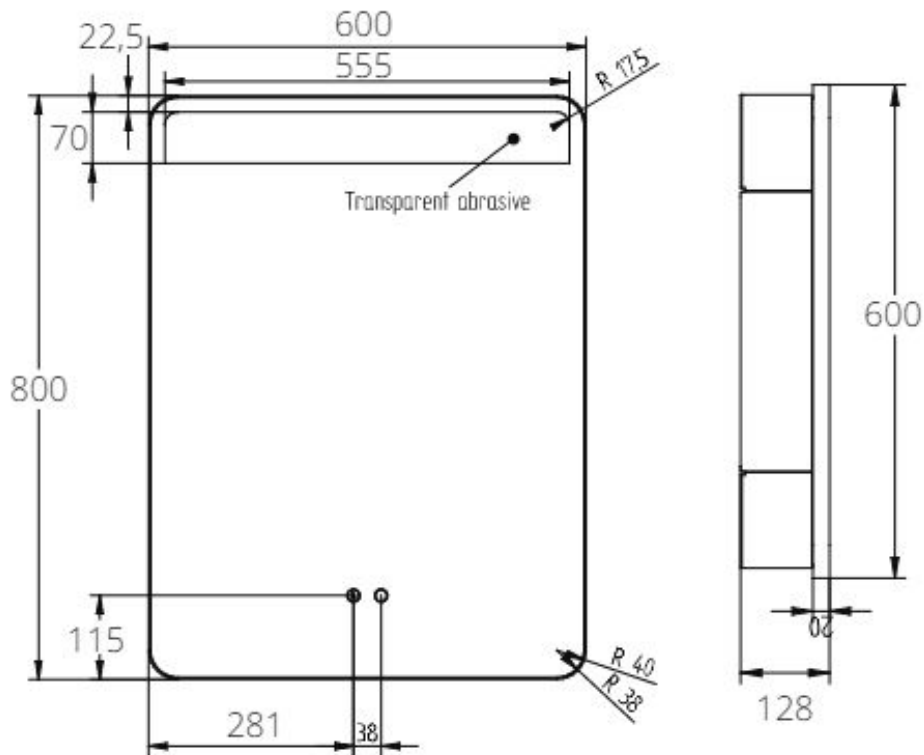




Brand : COTTO, Thailand
 Name : LED Mirror with touch sensor
 Item Code : MFL001
 Designer :
 Color / Finish: Black metal frame
 Dimensions : 600 x 800mm

Product info:

- LED Mirror
- With touch sensor
- Sharp reflection made from 5 mm thick clear float glass
- Wall mounted installation
- Light, soft tones, easy on the eyes
- Function to defog the glass
- Has a USB port (mobile phone charger)
- Easy and quick installation, plug and play
- LED bulb life lasts up to 25000 hours)
- Use 220v household electricity (save electricity)



Flushing of pipe must be done before fittings are installed. Failure to do so voids the warranty.

Follow cleaning instructions and avoid using any harmful chemicals.

All information is for reference only. Installation shall always be based on the specs provided with actual delivered items.

For more info, visit www.sanitecph.com