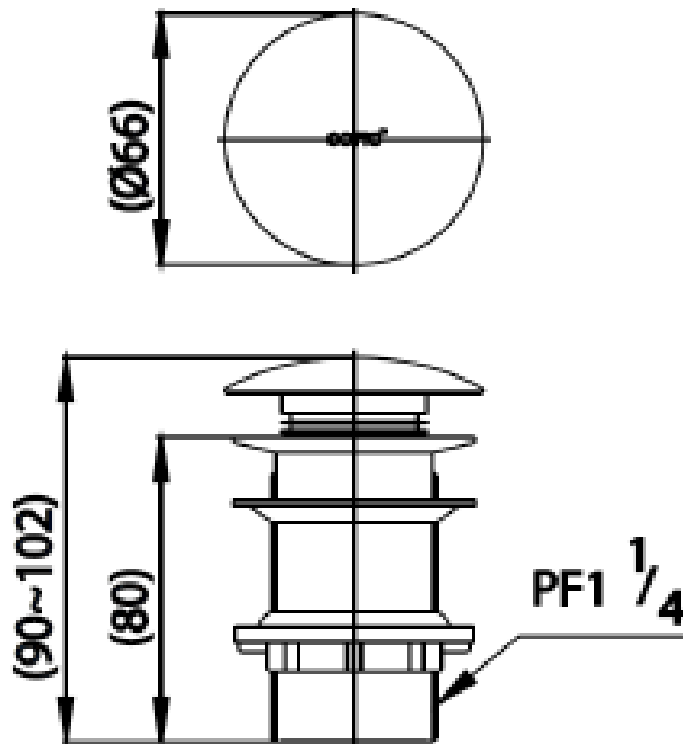




Brand : COTTO, Thailand
Name : CARE Basin tap
Item Code : CT665N(HM)
Designer :
Color / Finish: Chrome Plated
Dimensions : (See data drawing below for dimensions)

Product info:

- Push Type basin pop-up waste 1 ¼
- Non-Overflow



Flushing of pipe must be done before fittings are installed. Failure to do so voids the warranty.
Follow cleaning instructions and avoid using any harmful chemicals.
All information is for reference only. Installation shall always be based on the specs provided with actual delivered items.
For more info, visit www.sanitecph.com