



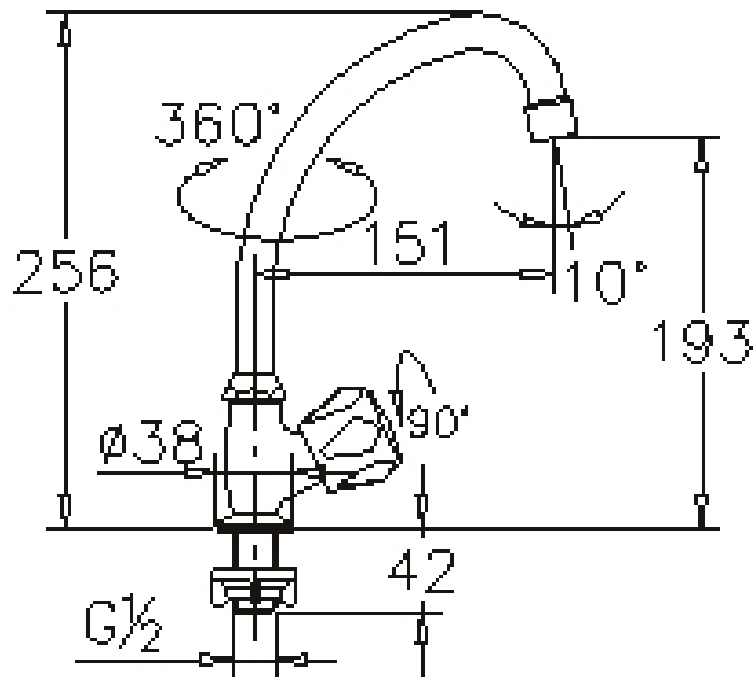
Brand : CAE, China
 Name : Pillar tap
 Item Code : 91.7026C
 Designer:
 Color / Finish: Chrome Plated
 Dimensions : 256 mm Height
 151 mm Spout Projection

Product info:

- Single hole sink tap
- Cold or pre-mixed water
- Normal spray
- Flow rate: 10.7lpm at 3 bars (45 psi)
- Flow pressure: 0.3Mpa

Add-ons:

- 1x angle valve ½"x½" (no nuts)
- 1x flexible supply hose ½"x½"x?cm



Flushing of pipe must be done before fittings are installed. Failure to do so voids the warranty.
 Follow cleaning instructions and avoid using any harmful chemicals.
 All information is for reference only. Installation shall always be based on the specs provided with actual delivered items.
 For more info, visit www.sanitecph.com