



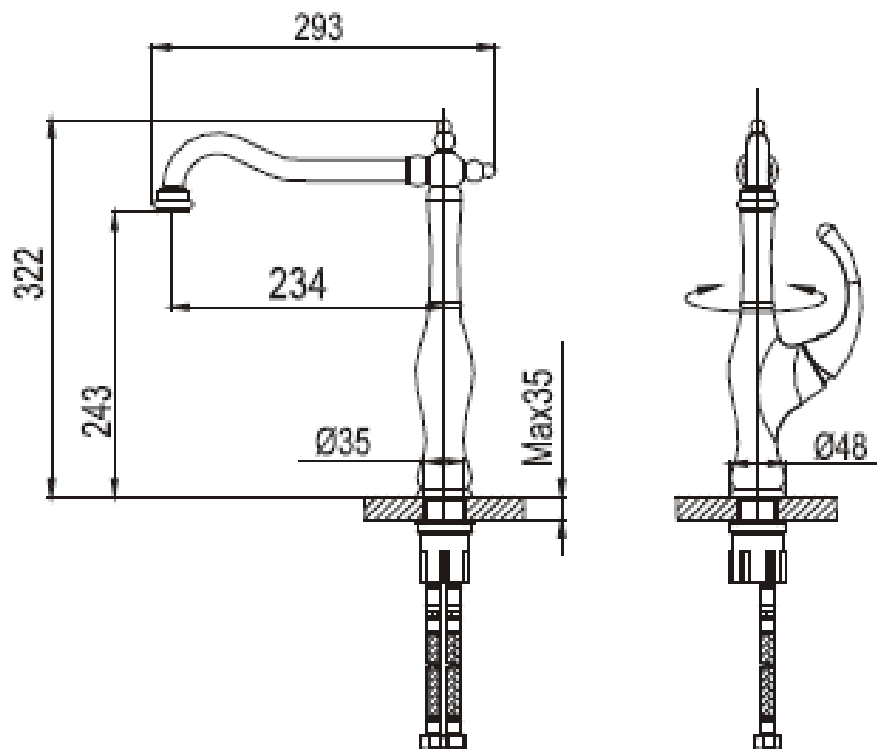
Brand : CAE, China
 Name : FLUID L Spout sink mixer
 Item Code : 08.3152DBR
 Designer:
 Color / Finish: Distressed bronze
 Dimensions : 322 mm height
 234 mm spout projection

Product info:

- Single lever sink mixer
- With L-spout
- Normal spray
- Flow rate: 10.7 lpm at 3 bars (45 psi)
- Flow pressure: 0.3Mpa

Add-ons:

- 2x angle valve ½"x¾" (no nuts)



Flushing of pipe must be done before fittings are installed. Failure to do so voids the warranty.

Follow cleaning instructions and avoid using any harmful chemicals.

All information is for reference only. Installation shall always be based on the specs provided with actual delivered items.

For more info, visit www.sanitecph.com