



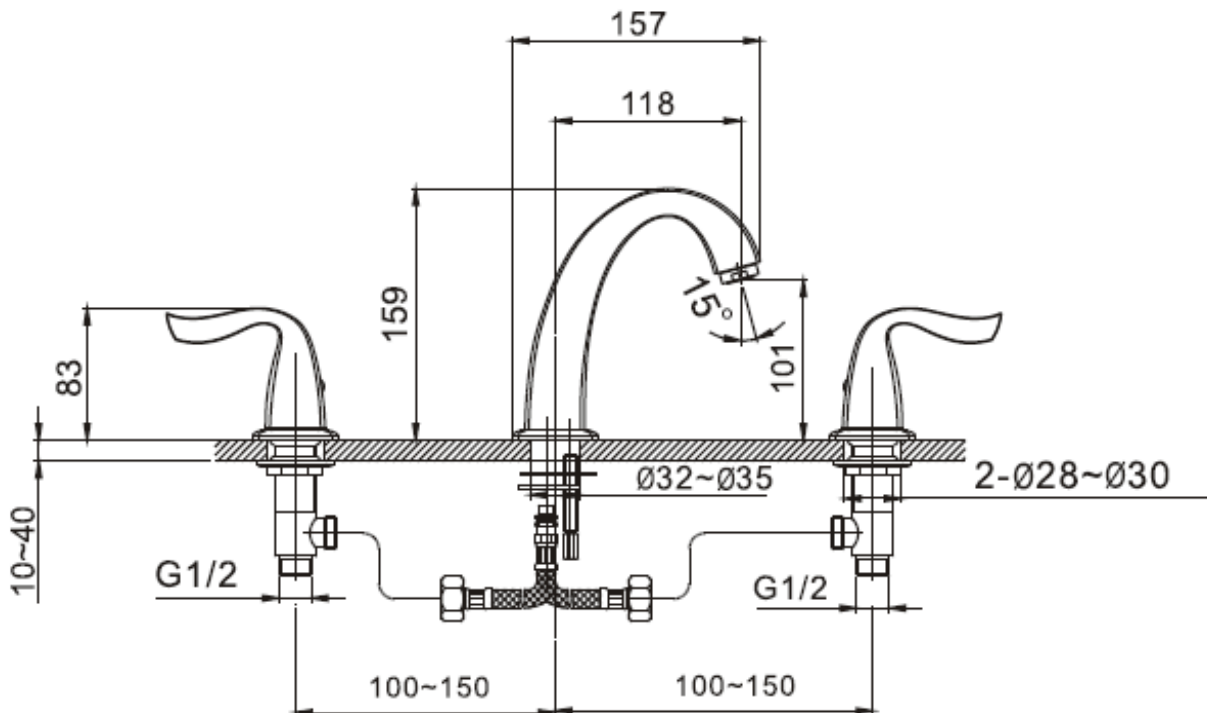
Brand : CAE, China
 Name : FLAME 3 Hole basin mixer with pop up waste set
 Item Code : 04.1272C
 Designer:
 Color / Finish: Chrome Plated
 Dimensions : 150 mm height
 118 mm spout projection

Product info:

- 3-hole basin mixer, lever handle
- Pop up waste set G 1 ¼
- Normal spray
- Flow rate: 10.7 lpm at 3 bars (45 psi)
- Flow pressure: 0.3Mpa

Add-ons:

- 2x angle valve ½"x½" (no nuts)
- 2x flexible supply hose ½"x½"x?cm
- 1x basin waste trap 1¼"



Flushing of pipe must be done before fittings are installed. Failure to do so voids the warranty.

Follow cleaning instructions and avoid using any harmful chemicals.

All information is for reference only. Installation shall always be based on the specs provided with actual delivered items.

For more info, visit www.sanitecph.com