



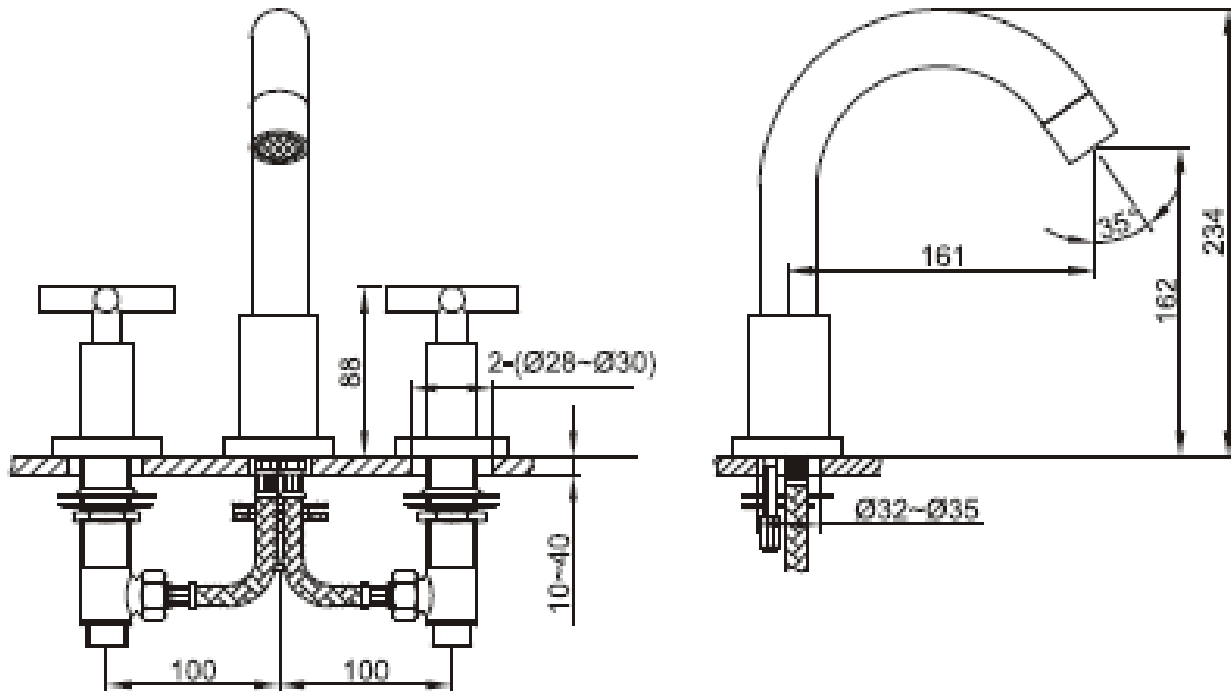
Brand : CAE, China
 Name : AMANDA VICTORIA 3 Hole basin mixer with pop up waste set
 Item Code : 03.1513C
 Designer:
 Color / Finish: Chrome Plated
 Dimensions : 234 mm Height
 161 mm Spout Projection

Product info:

- 3-hole 2-handle basin mixer
- High spout with 1¼" pop-up waste set
- Normal Spray
- Flow rate: 10.7 lpm at 3 bars (45 psi)
- Flow pressure: 0.3Mpa

Add-ons:

- 2x angle valve ½"½" (no nuts)
- 2x flexible supply hose ½"½"x?cm
- 1x basin waste trap 1¼"



Flushing of pipe must be done before fittings are installed. Failure to do so voids the warranty.

Follow cleaning instructions and avoid using any harmful chemicals.

All information is for reference only. Installation shall always be based on the specs provided with actual delivered items.

For more info, visit www.sanitecph.com