



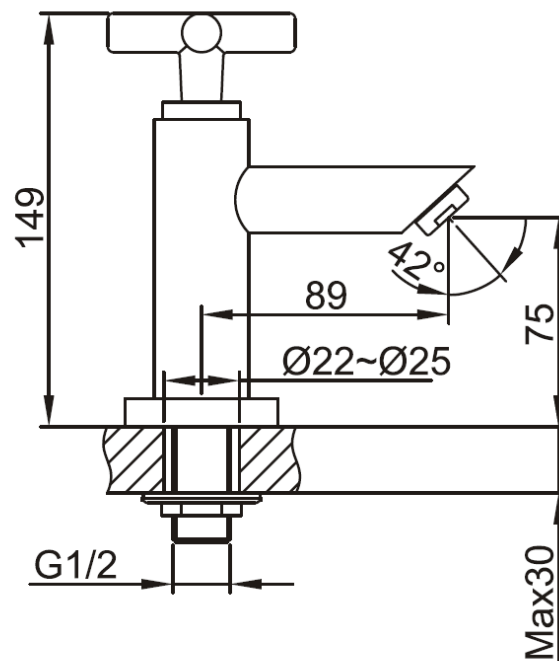
Brand : CAE, China  
 Name : AMANDA VICTORIA Basin pillar tap cold water only  
 Item Code : 03.1015C2  
 Designer:  
 Color / Finish: Chrome Plated  
 Dimensions : 149 mm Height  
 89 mm Spout Projection

**Product info:**

- Cold water tap
- Without pop-up
- Normal Spray
- Flow rate: 10.7 lpm at 3 bars (45 psi)
- Flow pressure: 0.3Mpa

**Add-ons:**

- 1x angle valve ½"x½" (no nuts)
- 1x basin waste strainer or pop-up
- 1x basin waste trap ¼"



Flushing of pipe must be done before fittings are installed. Failure to do so voids the warranty.  
 Follow cleaning instructions and avoid using any harmful chemicals.  
 All information is for reference only. Installation shall always be based on the specs provided with actual delivered items.  
 For more info, visit [www.sanitecph.com](http://www.sanitecph.com)