

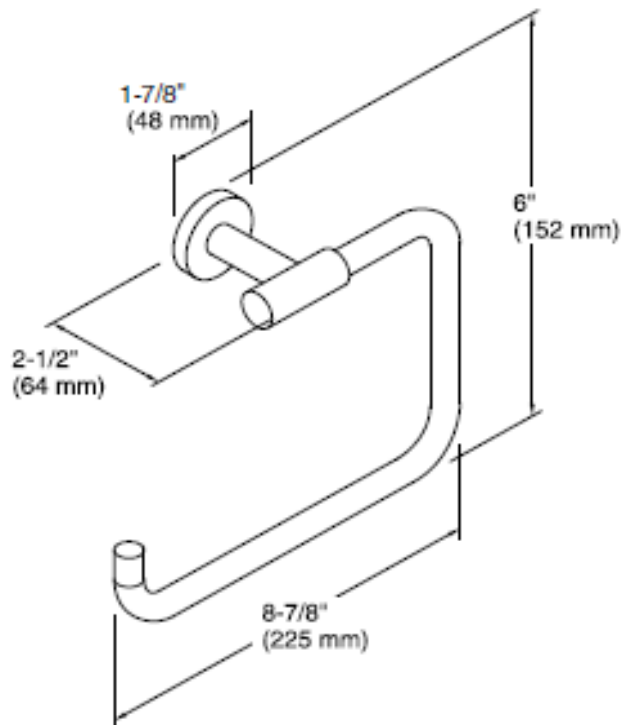
SPECIFICATION SHEET - bathroom accessories

BRAND:	KOHLER®
ORIGIN:	USA / China
SERIES:	FAIRFAX + STILLNESS
PRODUCT DESCRIPTION:	Towel Ring
MODEL No.	K-14456T-BN
FINISH/COLOUR:	Vibrant Brushed Nickel
DIMENSIONS:	64mm x 225mm x 152mm
OPTIONAL MATCHING PARTS:	

Product Photo:



Technical Informations:



REMINDER:	Do not use cleaners containing abrasive cleansers, ammonia, bleach, acids, waxes, alcohol, solvents or other products not recommended for chrome.
	All information is for reference only, installation shall always be based on the actual product delivered.