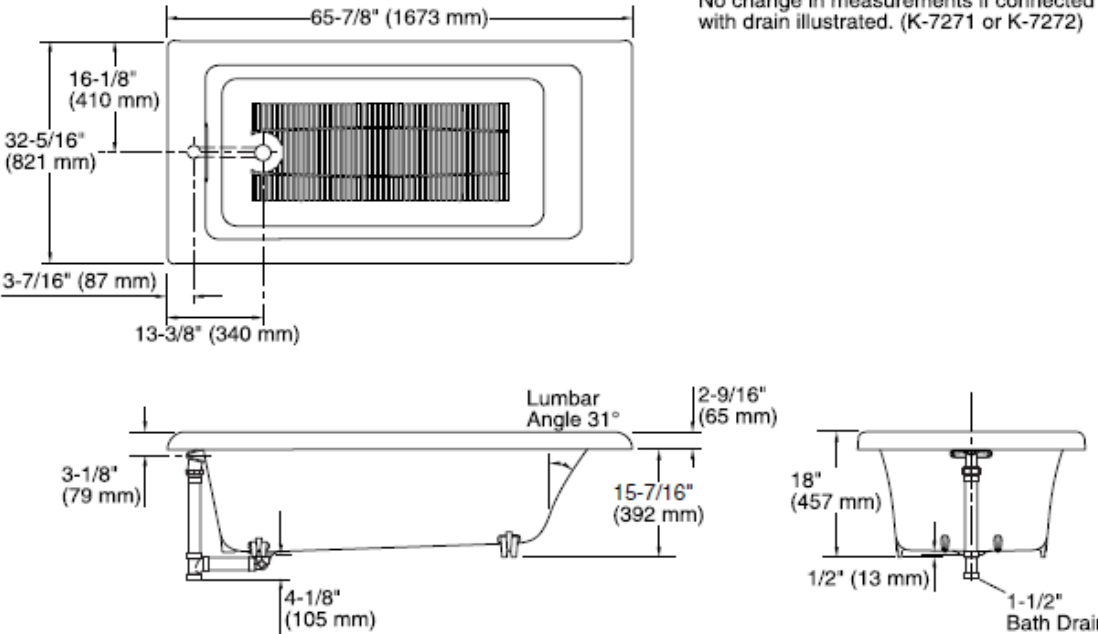


SPECIFICATION SHEET - fixtures

BRAND:	KOHLER®	Product Photo: 
ORIGIN:	USA / China	
SERIES:	DROP-IN TUBS	
PRODUCT DESCRIPTION:	PARITY Drop in cast iron bathtub	
MODEL No.	K896T-0	
FINISH/COLOUR:	White	
DIMENSIONS:	1673mm x 821mm x 457mm	
OPTIONAL MATCHING PARTS:	K-18355T-CP Bathtub pop-up waste 1½" K-1844T-LAW Wood bath seat	

Technical Informations:



No change in measurements if connected with drain illustrated. (K-7271 or K-7272)

REMINDER:	Pipe flushing must be done before faucets are installed. Failure to do so voids the warranty.
	Do not use cleaners containing abrasive cleansers, ammonia, bleach, acids, waxes, alcohol, solvents or other products not recommended for chrome.
	All information is for reference only, installation shall always be based on the actual product delivered.