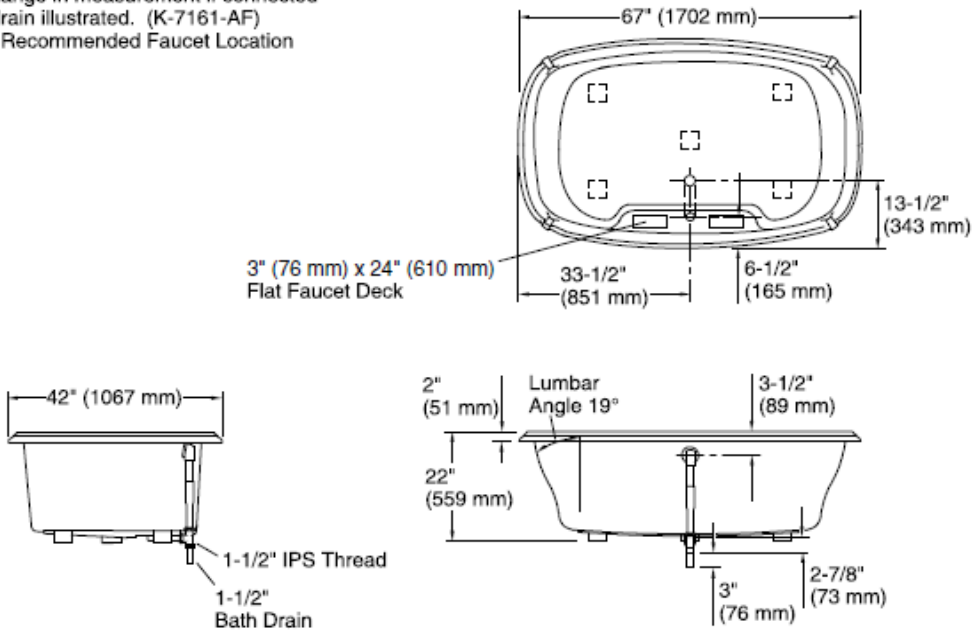


SPECIFICATION SHEET - fixtures

BRAND:	KOHLER®	Product Photo: 
ORIGIN:	USA / China	
SERIES:	PORTRAIT	
PRODUCT DESCRIPTION:	Drop-in acrylic bathtub	
MODEL No.	K1454T-0	
FINISH/COLOUR:	White	
DIMENSIONS:	1702mm x 1067mm x 559mm	
OPTIONAL MATCHING PARTS:	K-17254T-CP Bath waste Drain	

Technical Informations:

No change in measurement if connected with drain illustrated. (K-7161-AF)
 Recommended Faucet Location



Top View Dimensions:
 Overall width: 67" (1702 mm)
 Overall depth: 13-1/2" (343 mm)
 Flat Faucet Deck: 3" (76 mm) x 24" (610 mm)
 Distance from front edge to faucet center: 33-1/2" (851 mm)
 Distance from side edge to faucet center: 6-1/2" (165 mm)

Side View Dimensions:
 Overall height: 22" (559 mm)
 Lumbar Angle: 19°
 Distance from top edge to faucet center: 2"
 Distance from side edge to faucet center: 3-1/2" (89 mm)
 Distance from bottom edge to faucet center: 3" (76 mm)
 Distance from back edge to faucet center: 2-7/8" (73 mm)

Front View Dimensions:
 Overall width: 42" (1067 mm)
 Drain: 1-1/2" IPS Thread
 Drain height: 1-1/2"

REMINDER:	Pipe flushing must be done before faucets are installed. Failure to do so voids the warranty.
	Do not use cleaners containing abrasive cleansers, ammonia, bleach, acids, waxes, alcohol, solvents or other products not recommended for chrome.
	All information is for reference only, installation shall always be based on the actual product delivered.